

# Verana

## INSTALLATION INSTRUCTIONS

---

Herringbone SPC FLOORING



## Installation instructions

### SPC FLOORING

Thank you for choosing our product. When properly installed and cared for, your new flooring will be easy to maintain and will keep its great look for years.

**WARNING! DO NOT SAND, DRY SWEEP, DRY SCRAPE, DRILL, SAW, BEAD-BLAST OR MECHANICALLY CHIP OR PULVERIZE EXISTING RESILIENT FLOORING, BACKING, LINING FELT, ASPHALTIC “CUTBACK” ADHESIVES OR OTHER ADHESIVES.**

These products may contain either asbestos fibers and/or crystalline silica. Avoid creating dust. Inhalation of such dust is a cancer and respiratory tract hazard. Smoking by individuals exposed to asbestos fibers greatly increases the risk of serious bodily harm. Unless positively certain that the product is a non-asbestos-containing material, you must presume it contains asbestos. Regulations may require that the material be tested to determine asbestos content and may govern the removal and disposal of material.

See current edition of the Resilient Floor Covering Institute (RFCI) publication Recommended Work Practices for Removal of Resilient Floor Coverings for detailed information and instructions on removing all resilient covering structures.

Please read all the instructions before you begin the installation. Improper installation will void warranty.

### I. GENERAL PREPARATIONS

#### IMPORTANT NOTICE

After installation, make sure that the flooring is not be exposed to temperatures less than 0° F (-15° C) or greater than 140° F (60° C).

It is preferable to lay boards following the direction of the main source of light. For the best result, make sure to always work from 2 to 3 cartons at a time, mixing the planks during the installation.

**TOOLS REQUIRED:** Spacers, rubber mallet, ruler, pencil, tape measure, utility knife.

- Prior to installation, inspect material in daylight for visible faults/damage. No claims on surface defects will be accepted after installation.
- Check if subfloor/site conditions comply with the specifications described in these instructions. If you are not satisfied, do not install, and contact your supplier.
- Flooring products can be damaged by rough handling before installation. Exercise care when handling and transporting these products. Store, transport and handle the flooring planks in a manner to prevent any damage. Store cartons flat, never on edge.

- Flooring products can be heavy and bulky. Always use proper lifting techniques when handling these products. Whenever possible, make use of material-handling equipment such as dollies or material carts. Never lift more than you can safely handle; get assistance.
- Calculate the room surface prior to installation and plan an extra 5% of flooring for cutting waste.
- The environment where the flooring is to be installed is critically important with regard to successful installation and continued performance of the flooring products. The flooring is intended to be installed in interior locations only. These interior locations must meet climatic and structural requirements as well.
- Flooring should only be installed in temperature-controlled environments. It is necessary to maintain a constant temperature before, during and after the installation. Portable heaters are not recommended as they may not heat the room and subfloor sufficiently. Kerosene heaters should never be used.
- This product does not need acclimation.
- For floor surfaces exceeding 1600ft<sup>2</sup> (150m<sup>2</sup>) and/or lengths exceeding 40 lineal feet (12m), use expansion moldings.

## IMPORTANT NOTICE

Flooring may be installed with a direct glue-down method on approved wooden (or) concrete substrates that are on or above grade only. Use only premium pressure-sensitive vinyl flooring adhesive. Please consult with adhesive manufacturer to determine if suitable for use with this material.

For glue down method follow adhesive manufacture installation instructions.

## II. SUBFLOOR INFORMATION

- Inspect your subfloor before you begin, it must be clean, dry and level to 1/8" (3mm) within a 10 feet (3 meters). Substrates must be free from excessive moisture or alkali. Remove dirt, paint, varnish, wax, oils, solvents, any foreign matter and contaminates.
- Do not use products containing petroleum, solvents or citrus oils to prepare substrates as they can cause staining and expansion of the new flooring.
- Although this floor is waterproof, it is not aimed to be used as a moisture barrier. The subfloor must be dry. Moisture emission from subfloor cannot exceed 3 lbs. per 1,000 sq. ft. per 24 hours as measured with the calcium chloride test in accordance with ASTM F1869-04 or ASTM F2170 In-Situ Relative Humidity not to exceed 75%.
- This product is also not to be installed in areas that have a risk of flooding such as saunas or outdoor areas.

## IMPORTANT NOTICE

Radiant Heat: Radiant heat systems must have a minimum of 1/2" separation from the product. Maximum operating temperature should never exceed 85° F (30° C). Use of an in-floor temperature sensor is recommended to avoid overheating.

In-floor Radiant Heat: Flooring can be installed over 1/2" embedded radiant heat using the floating or glue down method.

When employing the direct glue down installation method, DO NOT include a 6-mil poly Im vapor barrier in the assembly. Flooring material must be adhered directly to the subfloor. Flooring should NEVER be glued to a polyfilm vapor barrier.

- Turn the heat off for 24 hours before, during and 24 hours after installation when installing over radiant heated subfloors.
- Failure to turn the heat off may result in significantly shortened working time of the adhesive.
- Before installing over newly constructed radiant heat systems, operate the system at maximum capacity to force any residual moisture from the cementitious topping of the radiant heat system. Moisture emission from subfloor cannot exceed 3 lbs. per 1,000 sq. ft. per 24 hours as measured with the calcium chloride test in accordance with ASTM F1869-04 or ASTM F2170 In-Situ Relative Humidity not to exceed 75%.
- Make sure that the temperature in the room is at least 60° F (15° C) during installation.
- Floor temperature must not exceed 85° F (30° C).
- Once the installation has been completed, the heating system should be turned on and increased gradually (5 degree increments) until returning to normal operating conditions.
- Refer to the radiant heat system's manufacturer recommendations for additional guidance.
- Failure to strictly follow adhesive manufacturer's guidelines may result in failure and void the warranty.

Warning: Electric heating mats that are not embedded into the subfloor are not recommended for use underneath the floors. Using electric heating mats that are not embedded and applied directly underneath the floors could void the warranty for your floor in case of failure. It is best to install the flooring over embedded radiant floor heating systems and adhere to the guidelines listed above.

## WOOD SUBFLOORS

- If this flooring is intended to be installed over an existing wooden floor, it is recommended to repair any loose boards or squeaks before you begin the installation.
- Nail or screw every 6" (15 cm) along joists to avoid squeaking.
- Basements and crawl spaces must be dry. Use of a 6-mil black polyethylene is required to cover 100% of the crawl space earth.
- We recommend laying on wooden floors crossways to the existing floorboards.
- All other subfloors – Plywood, OSB, particleboard, chipboard, wafer board, etc. must be structurally sound and must be installed following their manufacturer's recommendations.

## CONCRETE SUBFLOORS

- Floors must be fully cured, at least 60 days old, smooth, permanently dry, clean, and free of all foreign material such as dust, wax, solvents, paint, grease, oils, and old adhesive residue. Curing agents and hardeners could cause bonding failure and should not be used.
- Depressions, deep grooves, expansion joints and other subfloor imperfections must be filled with patching & leveling compound.
- Concrete substrates must be flat within 3/16 of an inch (2mm) within a 6-foot (2 meters) radius, or 1/8 of an inch (3mm) within a 10-foot radius (3 meters). The substrate should not slope more than 1 inch (2.5cm) per 10 feet (3 meters) in any direction.
- Moisture and alkalinity tests should be performed on all concrete substrates regardless of grade level or age of slab. Perform either ASTM F2170 In-Situ Relative Humidity (RH) test or ASTM F1869 Calcium Chloride Moisture Test (MVER: Moisture Vapor Emission Rating). Perform pH test per ASTM F710 to determine alkalinity of the slab.

- Moisture emission from subfloor cannot exceed 3 lbs. per 1,000 sq. ft. per 24 hours as measured with the calcium chloride test in accordance with ASTM F1869–04 or ASTM F2170 In-Situ Relative Humidity not to exceed 75%. If results are higher than referenced, then a minimum 6mil polyethylene plastic moisture barrier must be applied.
- The Limited Warranty does not cover discoloration from mold or from flooding, floods, leaking plumbing or appliances, water entering through sliding glass doorways, as well as floor covering failure due to hydrostatic pressure or moisture vapor emission.

## EXISTING FLOORS

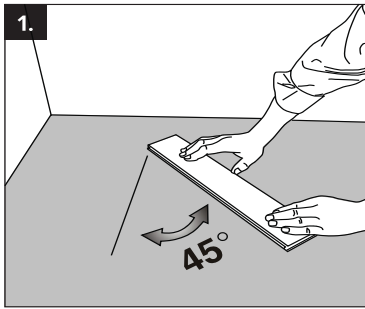
- The flooring can be installed over most existing hard surface floor coverings, provided that the existing floor surface is clean, flat, dry, securely fastened, and structurally sound.
- Existing sheet vinyl floors should not be heavily cushioned and not exceed more than one layer in thickness. Soft underlayment and soft substrates will diminish the products inherent strength in resisting indentations.
- Never use solvents or citrus adhesive removers to remove old adhesive residue. Solvent residue left in and on the subfloor may affect the new floor covering.

## DO NOT INSTALL OVER

- Hardwood flooring / wood subfloors that lay directly on concrete or over dimensional lumber or plywood used over concrete.
- Any type of carpet.
- Existing cushion-backed vinyl flooring.
- Floating floor of any type, loose lay, and perimeter fastened sheet vinyl.

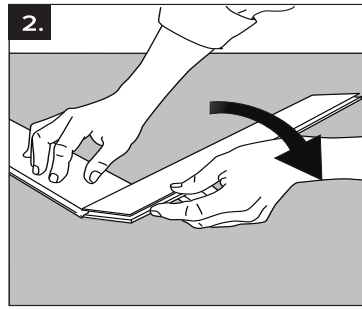
## III. INSTALLATION

- Remove baseboard, quarter-round moldings, wall base, appliances and furniture from room. For best results, door trim should be under-cut to allow flooring to move freely without being pinched. After preparation work, sweep and vacuum the entire work area to remove all dust and debris.
- With a floating floor you must always ensure you leave a 3/8" (9mm) gap between walls and fixtures such as pipes and pillars, stairs, etc. These gaps will be covered with trim moldings after the floor is installed. Tip: When installing around pipes, drill the holes 1/2" (12mm) larger than the diameter of the pipes.
- Whenever possible, plan the layout so that the joints in the planks do not fall on top of joints or seams in the existing substrate. The end joints of the planks should be staggered a minimum of 8" (20.32 cm) apart. Do not install over expansion joints. Avoid installing pieces shorter than 12" (30 cm) at beginning or end of rows.
- Do not install your kitchen cabinets directly over your floor. The floor's quality can be guaranteed as long as the floor can move freely.
- Decide the installation direction. It is recommended to install the length direction of the planks parallel to the main light direction.
- Measure the area to be installed: The board width of the last row shall not be less than 2" (50mm). If so, adjust the width of the first row to be installed. In narrow hallways, it is recommended to install the floor parallel to the length of the hall.



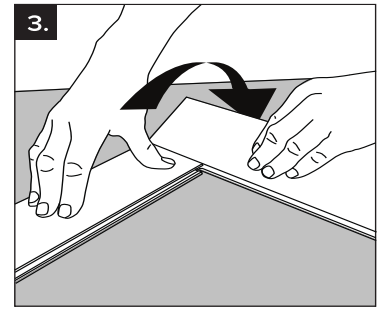
## 1. Getting started

Choose a wall to start at and begin installing at the left corner. Start with an A-panel and place it with its long side facing the left wall at an angle of 45°. Make sure that the distance between the left wall and the panel is less than the length of one panel.



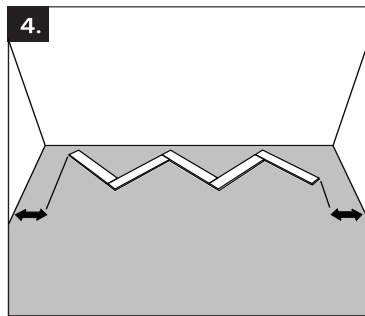
## 2. Connect next panel

Continue with a B-panel. Press the long side of the B-panel at an angle against the short side of the previous Installed A-panel. Fold down the B-panel flat to the floor to lock the panels tightly together. Check that the grooves on the two panels form a continuous line.



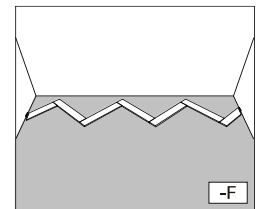
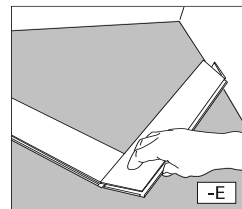
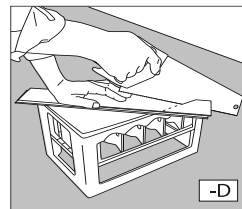
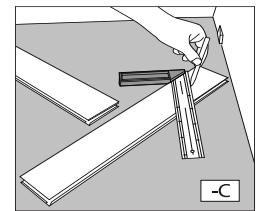
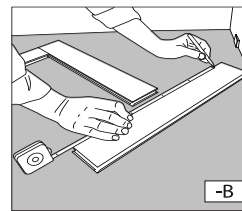
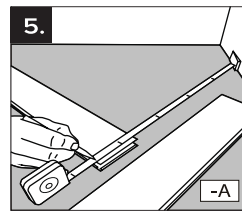
## 3. Connect additional panels

Next panel is an A-panel. Again, Press the long side of the new A-panel at an angle against the short side of the previous B-panel and fold down. Continue like this with as many panels as may fit along the starting wall.



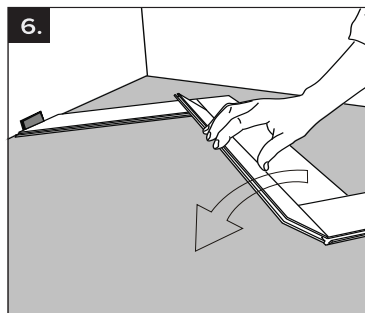
## 4. Center the first row

Check that the first row of panels is centered along the starting wall. Make sure that the distance to the walls on both sides are less than the length of one panel. If not, add a panel at the right side.



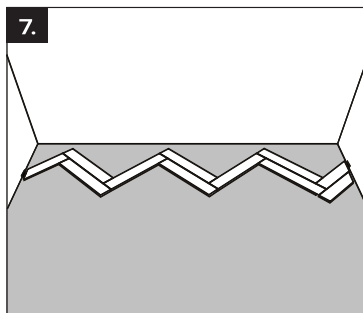
## 5. Cut the end panels to size

Measure and cut the end panels to size using a fine-toothed saw. Finish the first row with the cut and panels. Make sure that you leave a gap of 10/12mm to each wall.



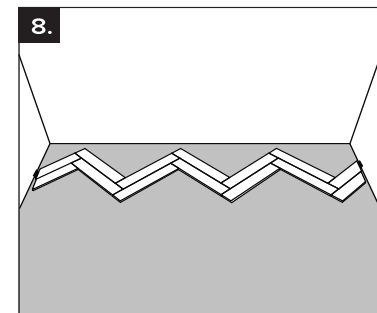
## 6. Start the second row

Start the next row with an A-panel. Place the new panel against the previous row and fold down.



## 7. Install the A-panels

Continue from the left to the right and Install all the A-panels in the second row. Finish with a piece of panel cut to size (step 5)

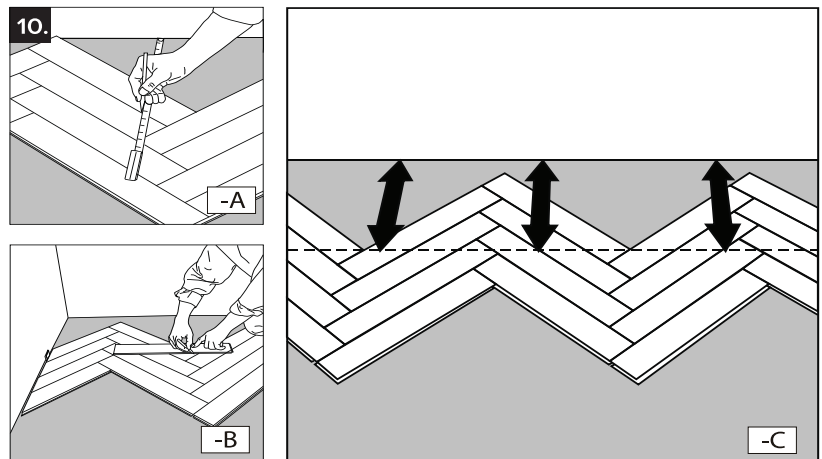


## 8. Continue with the B-panels

Now work in the opposite direction, from the right to the left and Install all the B-panels in the second row. Finish with a piece of panel cut to size (step 5).

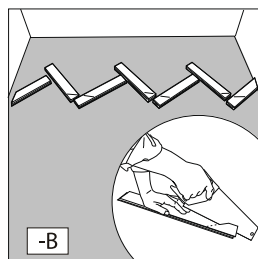
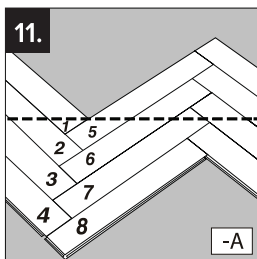
## 9.N.B – Complete four rows

**Important Note:** Install additional rows to complete four full rows.



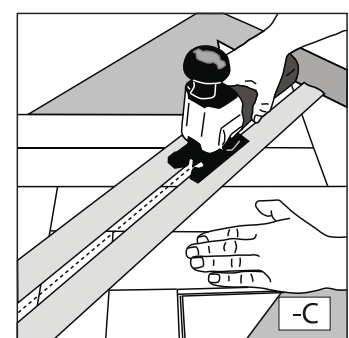
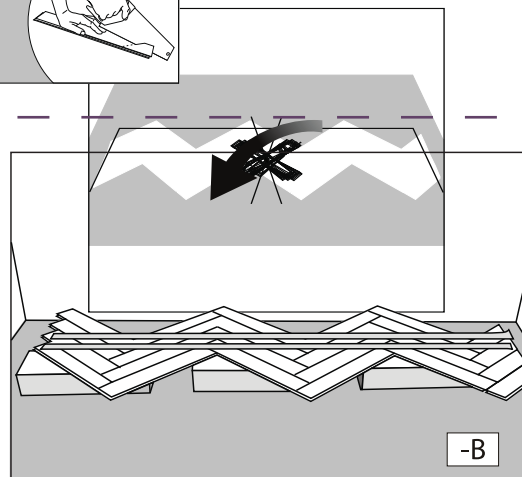
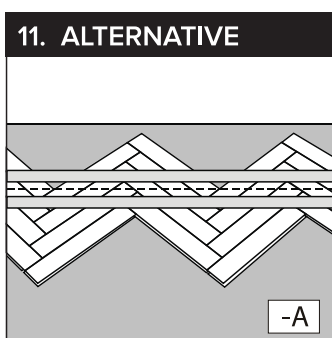
## 10. Adjust the starting rows

The first four rows have to be cut parallel to the wall. Measure and mark where to cut the floor panels at a fixed / parallel distance to the wall.



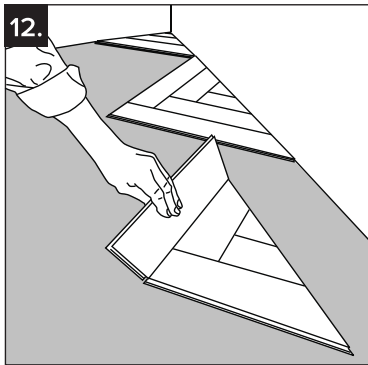
## 11. Dismantle and cut

Number the panels from 1 to ..... This will allow you to keep the panels in order. Dismantle the panels and cut them to size along the previous marked line.



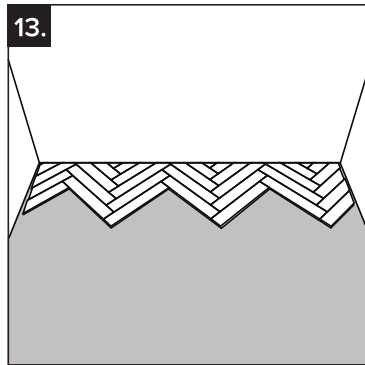
## 11. Alternative way to cut the first rows

Leave the left end-panels uninstalled. Tape along the marked line and place the flooring on top of a few flooring packages. Cut along the marked line. Then put the adjusted rows into place. Complete the first rows by installing the remaining end-panels. Start with the end-panel in the last row and finish at the first row.



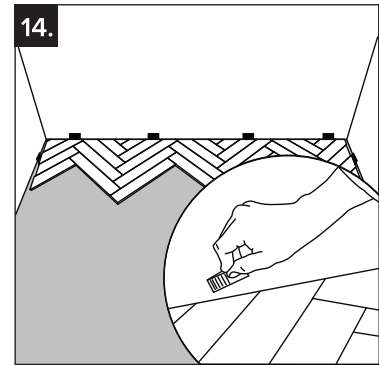
## 12. Install the starting triangles

Connect the cut starting panels to form triangular shapes, one by one. Start installing the triangles from the left corner. It is recommended to use glue to fix the smallest parts of the triangles into place by applying a small quantity of glue inside the groove.



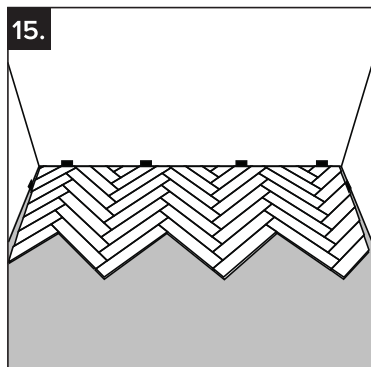
## 13. Install a few more rows

Connect the triangles by installing a few additional rows of panels. Start each row from the left to the right with the A-panels, finish with the cut piece of panel (step 5) and then install all the B-panels in the row. Finish with the left end panel, cut to size.



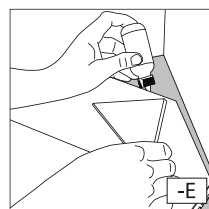
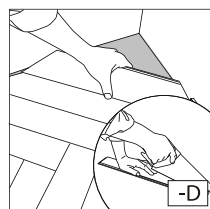
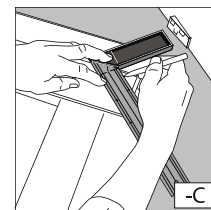
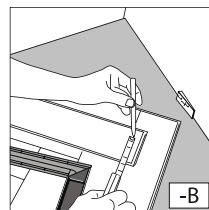
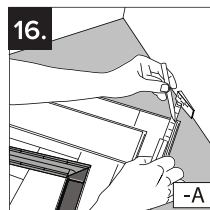
## 14. Put in spacers

Put in spacers between the flooring and the wall to ensure an expansion gap of 10/12mm.



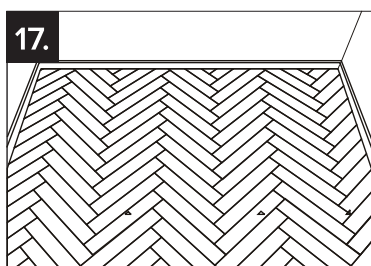
## 15. Subsequent rows

Start each subsequent row by installing the A-panels from the left to the right and complete the row by laying the B-panels from the right to the left.



## 16. Last row

Measure and cut the panels in the last row to size. It is recommended to use glue to install the smallest pieces of panels. Apply a small quantity of glue inside the groove.



## 17. Spacers and skirting

Remove the spacers and cover the expansion gap with skirting boards or beadings.